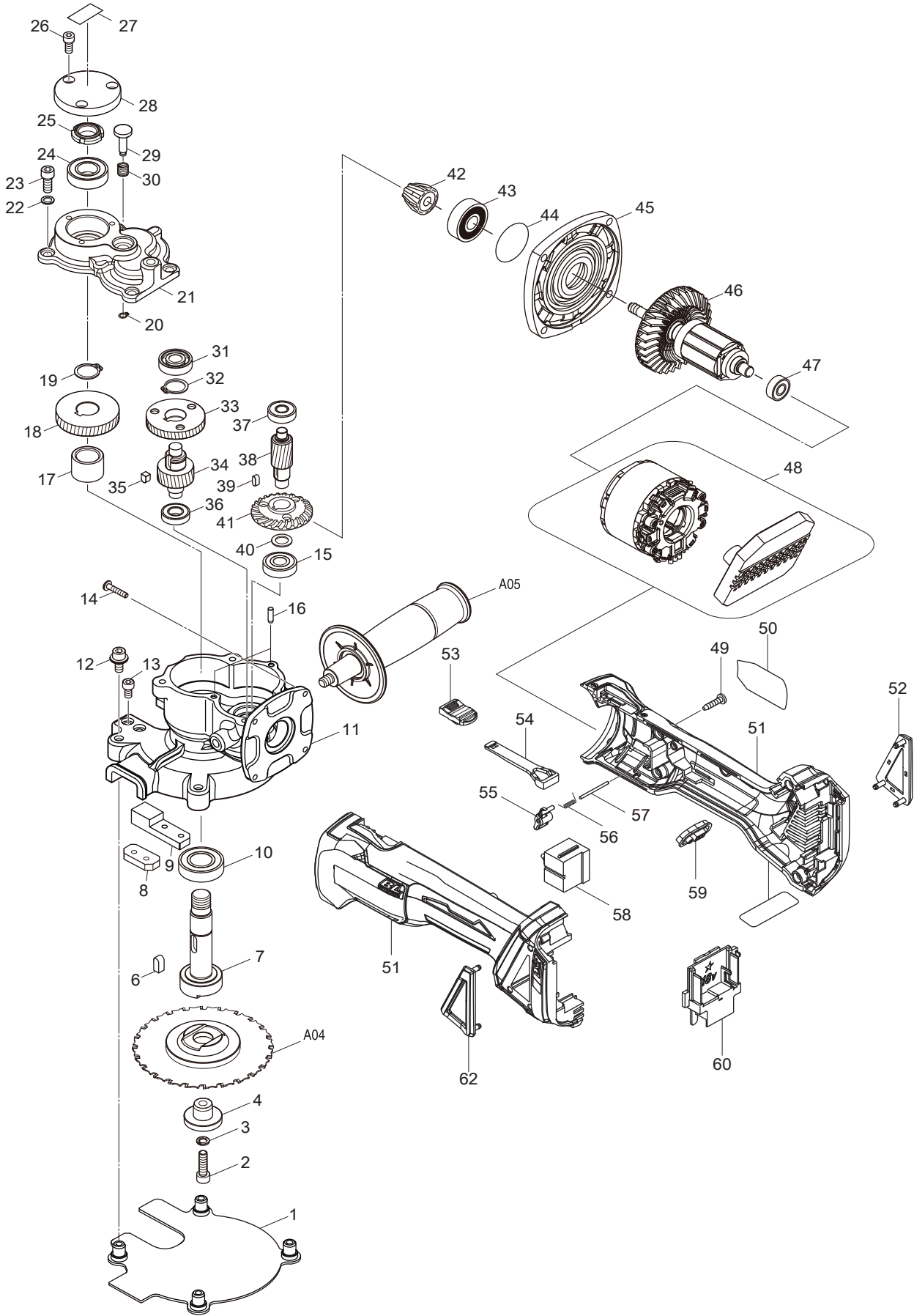




03 - 2017  
DSC250ZK  
18V Brushless 1" Steel Rod Cutter



Item No	Type	Sub	Part No	Description	Qty	Unit
001			SC09001030	CHIPSAW COVER	1	PC.
002			SC07513090	HEX SOCKET HEAD BOLT M6X22	1	PC.
003			SC07651310	SPRING WASHER 6	1	PC.
004	1		SC03510850	* CHIPSAW GUIDE	1	PC.
	2		SC03510960	* BLADE GUIDE	1	PC.
006			SC03701230	KEY	1	PC.
007			SC03510810	SPINDLE	1	PC.
008			SC03510830	MATERIAL GUIDE B	1	PC.
009			SC03510880	MATERIAL GUIDE A	1	PC.
010			SC07101340	BALL BEARING 6003VV	1	PC.
011			SC03252320	GEAR CASE	1	PC.
012			SC07541020	GT CAP SCREW M6X14	4	PC.
013			SC07512010	HSH BOLT M5X5	4	PC.
014			SC07554120	TAPPING SCREW M4X30	4	PC.
015			SC07101010	BALL BEARING 6000Z	1	PC.
016			SC06601720	PIN M4X20	2	PC.
017			SC03510860	GEAR 29 COLLAR	1	PC.
018			SC03607830	GEAR 29	1	PC.
019			SC07410100	CIRCLIP S17	1	PC.
020			SC07411250	CIRCLIP STW5	1	PC.
021			SC03252330	GEAR CASE COVER	1	PC.
022			SC00000066	WASHER 6	4	PC.
023			SC07513020	HSH BOLT M6X15	4	PC.
024			SC07000050	BALL BEARING 6002VV	1	PC.
025			SC07700240	FINE U NUT M15X1	1	PC.
026			SC00000059	HEX SOCKET HEAD BOLT M5X12	3	PC.
027			SC08014760	CAUTION LABEL	1	PC.
028			SC03252370	SPINDLE COVER	1	PC.
029			SC03510840	LOCK BUTTON	1	PC.
030			SC04008350	LOCK SPRING	1	PC.
031			SC07101010	BALL BEARING 6000Z	1	PC.
032			SC00000378	CIRCLIP S16	1	PC.
033			SC03607810	GEAR 41	1	PC.
034			SC03607820	GEAR 16	1	PC.
035			SC03701660	GEAR 16 KEY	1	PC.
036			SC07104010	BALL BEARING 6900ZZ	1	PC.
037			SC07000040	BALL BEARING 608VV	1	PC.
038			SC03607800	GEAR 13	1	PC.
039			SC03701670	GEAR KEY	1	PC.
040			SC03301660	GEAR 13 WASHER	1	PC.
041			227502-3	SPIRAL BEVEL GEAR 39	1	PC.
042			221442-7	SPIRAL BEVEL GEAR 19	1	PC.
043			210042-8	BALL BEARING 629LLB	1	PC.
044			213445-5	O RING 26	1	PC.
045			319214-3	GEAR HOUSING COVER	1	PC.
046	3		510329-1	ROTOR ASSY	1	PC.
		INC.		Item No. 47		
047	2		210169-4	BALL BEARING 607LLB	1	PC.
048			629176-0	STATOR COMPLETE	1	PC.
049			266326-2	TAPPING SCREW M4X18	5	PC.
051			187997-1	MOTOR HOUSING SET	1	SET
052			455450-8	DUST COVER R	1	PC.
053			455447-7	SWITCH KNOB	1	PC.
054			455446-9	SWITCH LEVER	1	PC.
055			455448-5	LEVER	1	PC.
056			231679-8	TORSION SPRING 2	1	PC.
057			268330-7	PIN 2	1	PC.
058			650579-7	SWITCH 1246.3223	1	PC.
059			142901-7	INDICATOR PANEL COMPLETE	1	PC.
060			643874-2	TERMINAL	1	PC.
062			455449-3	DUST COVER L	1	PC.
063			252186-8	HEX NUT M6	1	PC.

Item No	Type	Sub	Part No	Description	Qty	Unit
<b>ACCESSORIES</b> - See Catalogue or visit <a href="http://www.makita.ca">www.makita.ca</a> for more accessories -						
A01	1		SC19002890	* CT CIRCULAR SAW BLADE 24T	1	PC.
	2		SC09003261	* CT CIRCULAR SAW BLADE 24T	1	PC.
A02			SC08200100	LONG HEX WRENCH M5	1	PC.
A03			SC08106610	DUST BAG	1	PC.
A04			-----	PLASTIC CARRYING CASE	1	PC.
A05			153489-2	GRIP 36 COMPLETE (Resin Grip)	1	PC.
A06			SC09004240	* ADAPTER	1	PC.
A07			SC09030550	* SPACER	1	PC.
		INC.		* Item No. 4, A06		
A08			-----	18V LI-ION BATTERY		
A09			-----	BATTERY CHARGER		
A10			-----	LI-ION BATTERY ACCESSORIES		

### SERVICE CHANGES

#### 1. Changes on Cutter and Chipsaw guide

(TI# Y07991 )

Item No.	Description	Type 1	Type 2
A01	Cutter / Flangeless Blade	SC19002890	SC09003261
A07	Spacer (Includes Item A06 and 4)	---	SC09030550
A06	Adapter	---	SC09004240
4	Chipsaw Guide / Blade Guide	SC03510850	SC03510960

Above parts are completely interchangeable as a set.

